

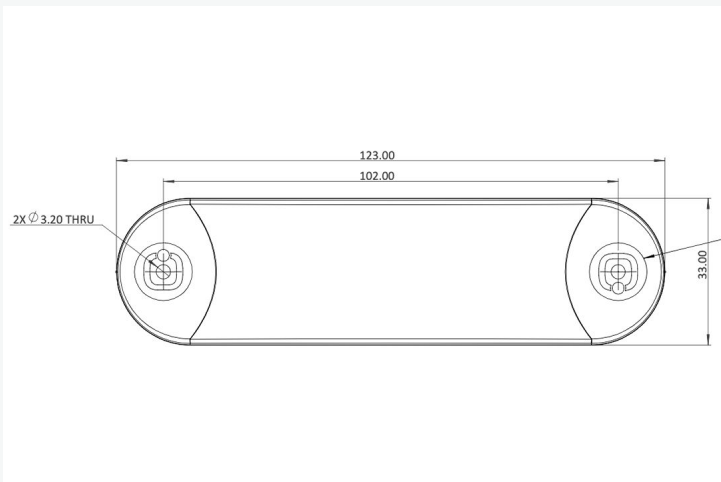
## [ Products ] you can identify with



### Physical Specifications

<b>Material</b>	White synthetic label encased
<b>Size</b>	123 x 33 x 6.8 mm, 4.84 x 1.29 x 0.26 in
<b>Weight (g)</b>	20.08
<b>Attachment</b>	Mechanical (std), foam adhesive (optional), thin film adhesive (optional)

### Dimensions



Measurements shown in mm

## Flex 1200 Shell +

The Flex 1200 Shell + adds a hard, clear case lower and upper to fully encase our Flex label tag to provide medium level protection from knocks, liquid spillage or other environmental factors. The transparent case is an ideal way to protect printed information on the label whilst still making it readable by the human eye and without any impact on the read performance. The label itself is a low profile, small form factor RFID tag designed specifically for attachment to office equipment, IT assets or RTI's. With its superior RF performance, this tag excels in portal applications where the read range can be expanded by upto 25%. The Flex 1200 label on its own is well suited to indoor applications where a low-cost option is needed and the addition of the 'Shell +' makes it a cost effective semi robust outdoor option with a higher level of durability than its close cousin the Flex 1200 Shell which has the case upper but not the case lower.

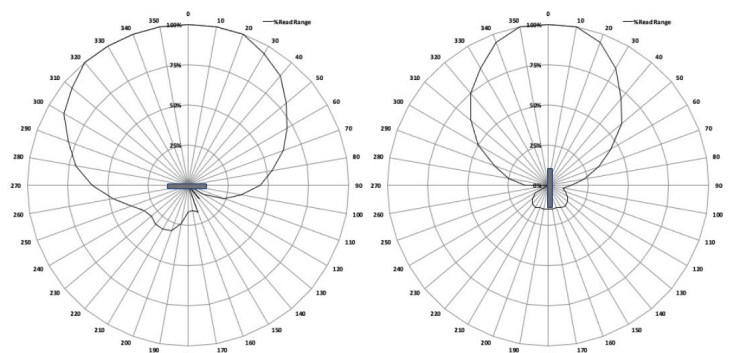


### RF Specifications

<b>Radio Protocol</b>	EPC Class 1 Gen2v2
<b>Frequency Range</b>	866 - 928 (GS)
<b>Read Range - Fixed Reader</b>	Up to 10.6m (34 feet)
<b>Read Range - Handheld Reader</b>	Up to 5m (16.5 feet)
<b>On Metal or Balanced</b>	Optimized for metal
<b>Material Compatibility</b>	Metal
<b>IC Type (Chip)</b>	U-Code8
<b>Memory</b>	EPC - 128 bits User - 0 bits Unique TID - 48 bits

EPC and User memory are reprogrammable. UTID is locked at point of manufacture by IC manufacturer.

### Radiation Patterns



[ **Products** ] you can **identify** with

## [ Products ] you can identify with



The Flex 1200 Shell + is ideally suited to applications such as:

- Office equipment
- Portals & Returnable Transit Items (RTI)
- Light outdoor use

### Certifications

CE, RoHS, US&Canada (C1D1/D2) certified (option)



### Environmental Specifications

<b>Operating Temperature</b>	-30°C to +65°C
<b>IP Rating</b>	IP68
<b>Impact</b>	1KG

### Ordering Information

<b>Warranty</b>	1 year
<b>Part Number / Order Codes / Order Numbers</b>	CP14543

For product or technology inquiries email: [sales@omni-id.com](mailto:sales@omni-id.com).  
Visit [omni-id.com](http://omni-id.com) to learn more about the complete line of **Omni-ID RFID** products