

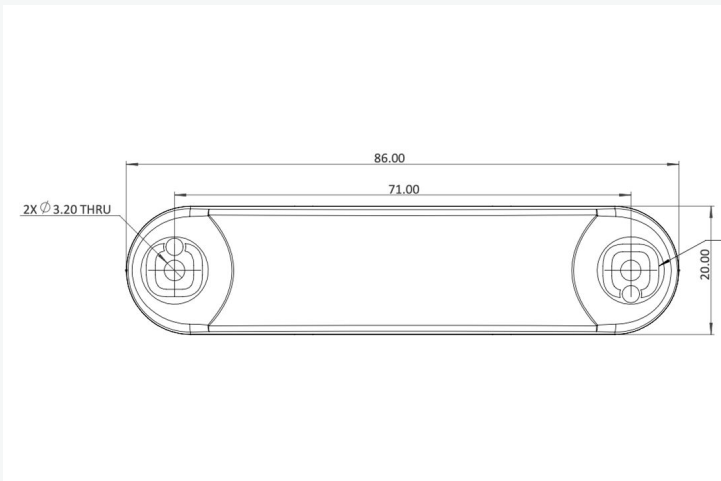
[Products] you can identify with



Physical Specifications

Material	White synthetic label in encasing
Size	86 x 20 x 6.75 mm, 3.38 x 0.78 x 0.26 in
Weight (g)	7.12
Attachment	Mechanical (Std), Foam adhesive (Std)

Dimensions



Measurements shown in mm

Flex 600 Shell

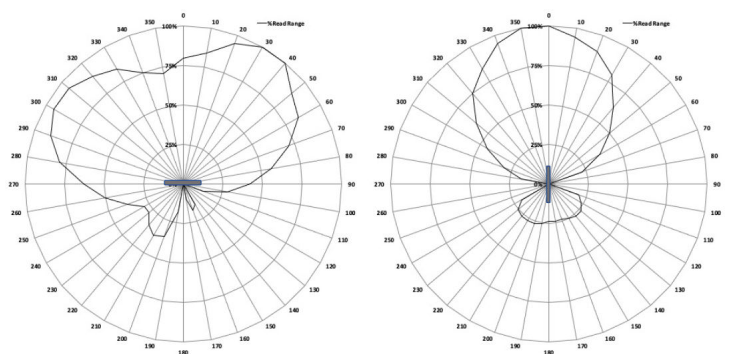
The Flex 600 Shell adds a hard, clear case upper on top of our Flex label tag to provide medium level protection from knocks, liquid spillage or other environmental factors. The transparent case is an ideal way to protect printed information on the label whilst still making it readable by the human eye and without any impact on the read performance. The label itself is a low profile, small form factor RFID tag designed specifically for attachment to office equipment, IT assets or RTI's. With its superior RF performance, this tag excels in portal applications where the read range can be expanded by up to 25%.

RF Specifications

Radio Protocol	EPC Class 1 Gen2v2
Frequency Range	866 – 868 MHz (EU) 902 – 928 MHz (US)
Read Range – Fixed Reader	Up to 7.5m (24.6 feet)
Read Range – Handheld Reader	Up to 4m (13.12 feet)
On Metal or Balanced	Optimized for metal
Material Compatibility	Metal
IC Type (Chip)	Monza R6-P
Memory	EPC - 128 bits User - 32 bits Unique TID - 48 bits

EPC and User memory are reprogrammable. UTID is locked at point of manufacture by IC manufacturer.

Radiation Patterns



[Products] you can identify with



The Flex 600 Shell is ideally suited to applications such as:

- Office equipment
- Portals
- Light outdoor use

Certifications



Environmental Specifications

Operating Temperature	-30°C to +65°C
IP Rating	IP68
Impact	1KG

Ordering Information

Warranty	1 year
Part Number / Order Codes / Order Numbers	EU CP14525 US CP14528

For product or technology inquiries email: sales@omni-id.com.
Visit omni-id.com to learn more about the complete line of **Omni-ID RFID** products