

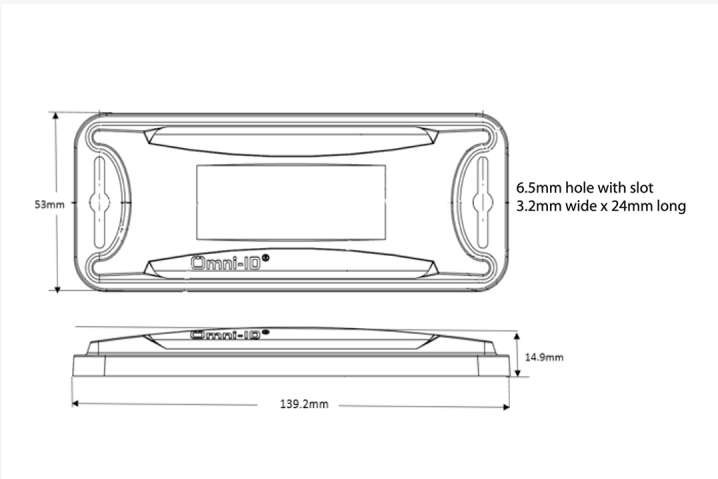
[Products] you can identify with



Physical Specifications

Material	PC ABS blend
Size	139.2 x 53 x 14.9 (+/- 1) mm, 5.36 x 2.09 x 0.59 (+/- 0.04) in
Weight (g)	64
Attachment	Mechanical (standard) or premium foam (option)

Dimensions



Measurements shown in mm

Exo 2000

This version has been archived, please refer to the new datasheet with the same name (10.6.22).

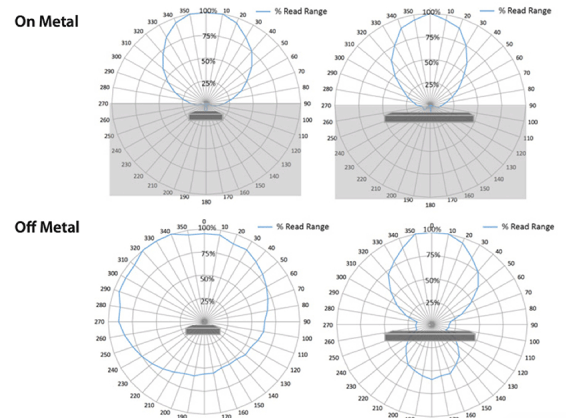
Omni-ID Exo 2000 is the most durable tag offering long read ranges across all geographies. Designed with heavy industry in mind, the Omni-ID Exo 2000 features extreme impact resistance and high temperature ratings, enabling it to be deployed in outdoor heavy industry environments anywhere in the world.

RF Specifications

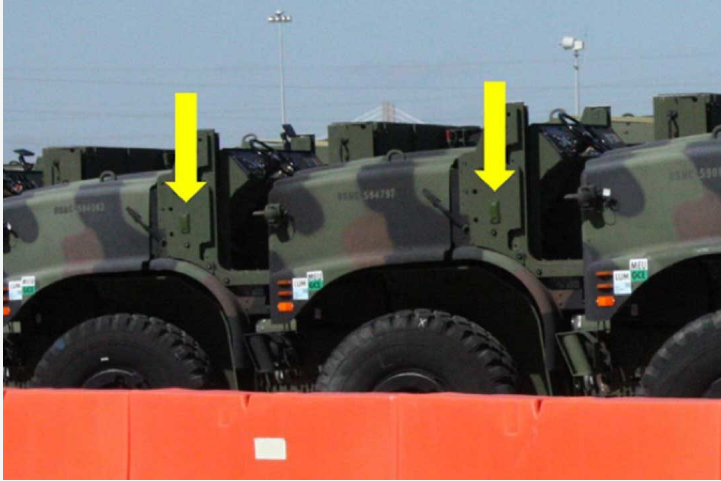
Radio Protocol	EPC Class 1 Gen2v2
Frequency Range	860 – 960 MHz (Global)
Read Range – Fixed Reader	Up to 20m (on metal)
Read Range – Handheld Reader	Up to 9m (on metal)
On Metal or Balanced	Optimized for metal
IC Type (Chip)	Impinj Monza 4QT
Memory	EPC - 128 bits User - 512 bits Unique TID - 48 bits

EPC and User memory are reprogrammable. UTID is locked at point of manufacture by IC manufacturer.

Radiation Patterns



[Products] you can identify with



With an excellent read range across all geographic regions and a durable, high heat resistant encasement, the Exo 2000 is best suited to outdoor applications, including:

- Container tracking for yard management
- Cargo tracking
- Defense asset management

Certifications

CE, RoHS, Ex, ATEX/IECEX certified (option), US&Canada (C1D1/D2) certified (option), EN50121-3-2:2016+A1:2019



Environmental Specifications

Operating Temperature	-40°C to +85°C
Max Temperature Exposure	-40°C to 100°C
IP Rating	IP68
Shock & Vibration Tolerance	MIL-STD-810 G
Impact	25kg from 1m

Ordering Information

Warranty	3 years
Product Options	:303 (Customization) :304 (ATEX/IECEX certified) :307 (US&Canada (C1D1/D2) certified) :508 (premium foam) :701 (Standard Service Bureau)
Part Number / Order Codes / Order Numbers	152 - Global

For product or technology inquiries email: sales@omni-id.com.
Visit omni-id.com to learn more about the complete line of **Omni-ID RFID** products