

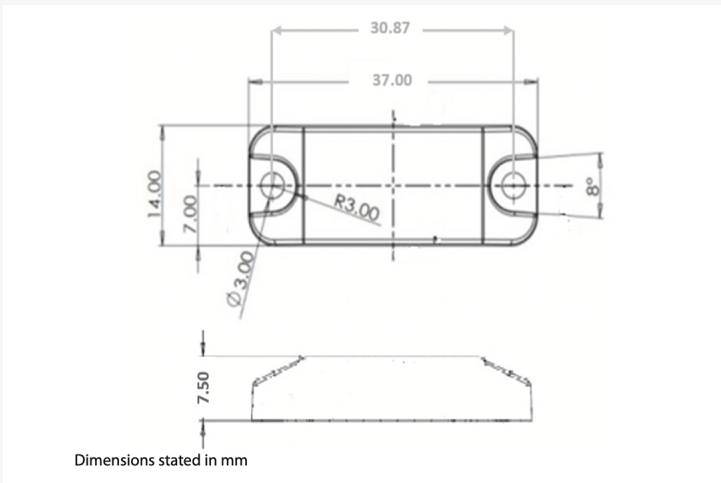
## [ Products ] you can identify with



### Physical Specifications

|                   |   |
|-------------------|---|
| <b>Material</b>   | Thermoplastic cover                     |
| <b>Size</b>       | 37 x 14 x 7.5 mm, 1.46 x 0.55 x 0.30 in |
| <b>Weight (g)</b> | 5.7                                     |
| <b>Attachment</b> | Mechanical (std) 2 x 3mm holes          |

### Dimensions



Dimensions stated in mm

Measurements shown in mm

## Exo 400

Omni-ID Exo 400 is a small form factor, High Temperature RFID tag optimized for metal substrates. With a combined ability to survive high temperatures to 235°C and a rugged encapsulation, this tag is ready for deployment in a variety of applications without sacrificing read range performance.

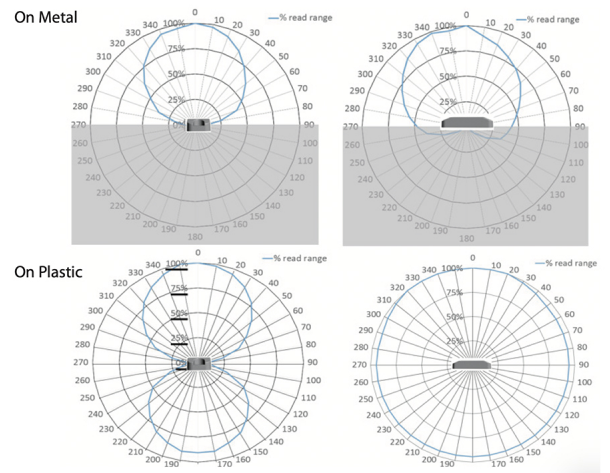


### RF Specifications

|                                     |  |
|-------------------------------------|--|
| <b>Radio Protocol</b>               | EPC Class 1 Gen2v2                                       |
| <b>Frequency Range</b>              | 866 – 868 MHz (EU)<br>902 – 928 MHz (US)                 |
| <b>Read Range – Fixed Reader</b>    | Up to 4m (13.1 feet)                                     |
| <b>Read Range – Handheld Reader</b> | Up to 2m (6.5 feet)                                      |
| <b>On Metal or Balanced</b>         | Optimized for metal                                      |
| <b>Material Compatibility</b>       | Metal  |
| <b>IC Type (Chip)</b>               | Alien Higgs 3  |
| <b>Memory</b>                       | EPC - 96 bits<br>User - 512 bits<br>Unique TID - 64 bits |

EPC and User memory are reprogrammable. UTID is locked at point of manufacture by IC manufacturer.

### Radiation Patterns



## [ Products ] you can identify with



Omni-ID's Exo 400 High Temperature tag is an ideal solution for applications where surviving excessive heat in a rugged environment is needed such as:

- Healthcare sterilization processes
- Automotive post-paint processes
- Manufacturing

### Certifications

CE, RoHS, ATEX/IECEX certified (option), US&Canada (C1D1/D2) certified (option)



### Environmental Specifications

|  |                 |
|--|-----------------|
| <b>Operating Temperature</b>           | -20°C to +85°C  |
| <b>Max Temperature Exposure</b>        | -20°C to +235°C |
| <b>IP Rating</b>                       | IP68            |
| <b>Shock &amp; Vibration Tolerance</b> | MIL-STD-810 G   |

### Ordering Information

|  |   |
|--|---|
| <b>Warranty</b>                                  | 1 year  |
| <b>Product Options</b>                           | :303 (Customization)<br>:304 (ATEX/IECEX certified)<br>:307 (US&Canada (C1D1/D2) certified)<br>:701 (Standard Service Bureau) |
| <b>Part Number / Order Codes / Order Numbers</b> | 144 - (EU,US)   |

For product or technology inquiries email: [sales@omni-id.com](mailto:sales@omni-id.com).  
Visit [omni-id.com](http://omni-id.com) to learn more about the complete line of **Omni-ID RFID** products